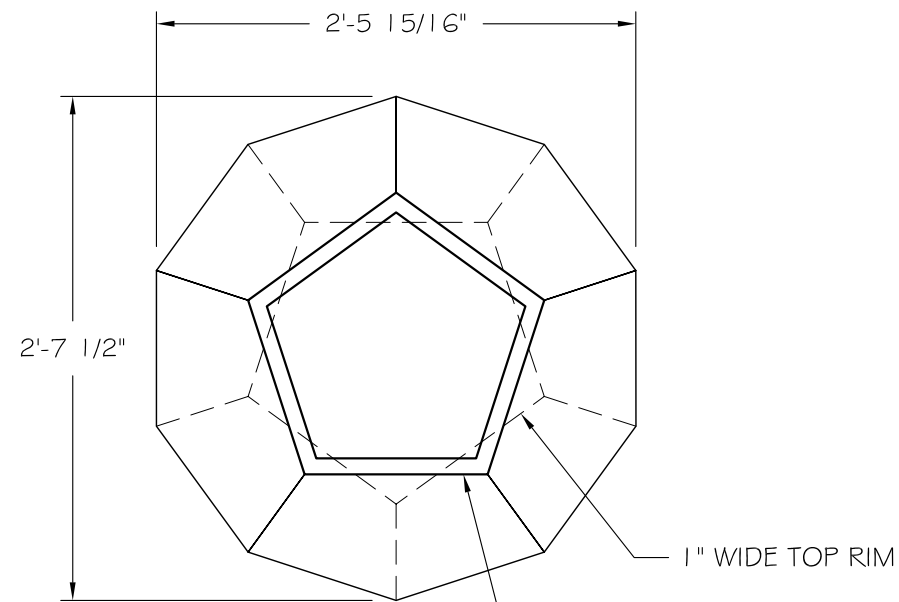
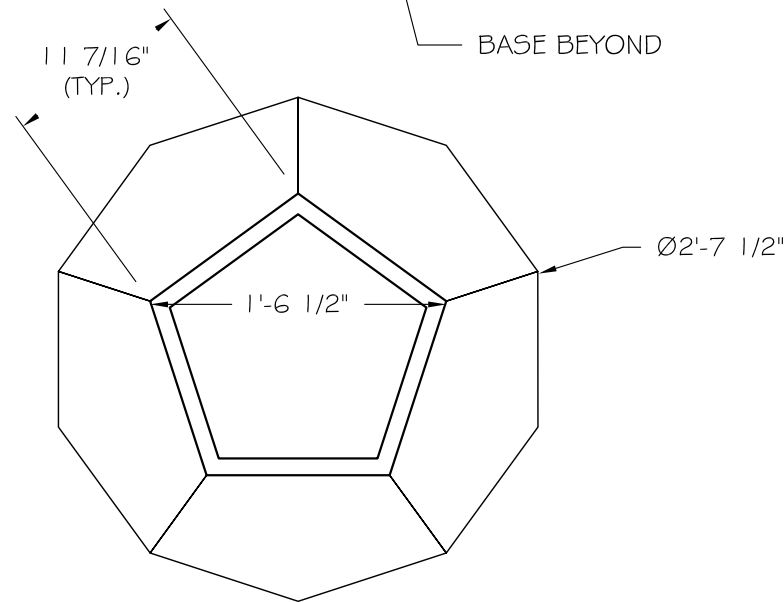


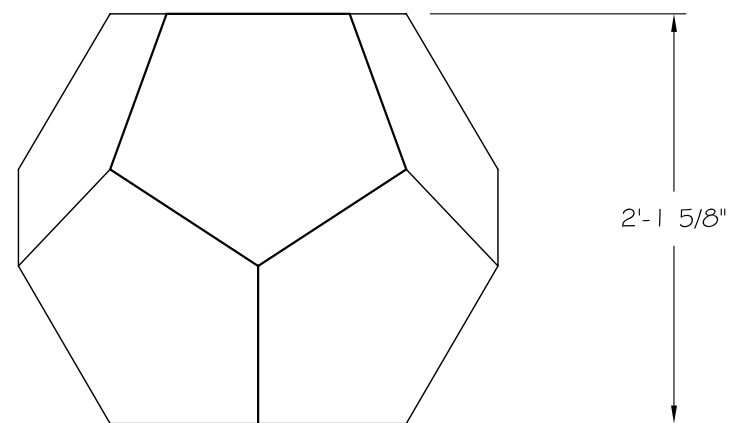
1 PLAN VIEW



2 PLAN VIEW



3 ELEVATION



APPROVED BY: \_\_\_\_\_  
DATE: \_\_\_\_\_

REVISIONS				
ZONE	REV	DESCRIPTION	DATE	APPROVED
	△	PART DRAWING SUBMITTAL	7/28/2011	



3 IMAGE (SIMILAR)  
N.T.S.

- \* ALL PLANTERS AND BENCHES WILL HAVE TAPERED DRAFT.
- \* ALL EDGES TO HAVE 1/4"R MIN.
- \* MANUFACTURING TOLERANCE  $\pm \frac{1}{4}$ " (MAY VARIES BY MODEL)

	Old Town Fiberglass, Inc. 456 South Montgomery Way Orange, CA 92868-4015 PH: (714) 633-3732 FX: (714) 633-3917 www.oldtownfiberglass.com			
	<b>DI3025 (DIAMOND)</b>			
SIZE	FSCM NO.	DWG NO.	REV	
			0	
SCALE 1"=1'-0"			SHEET	OT-1