

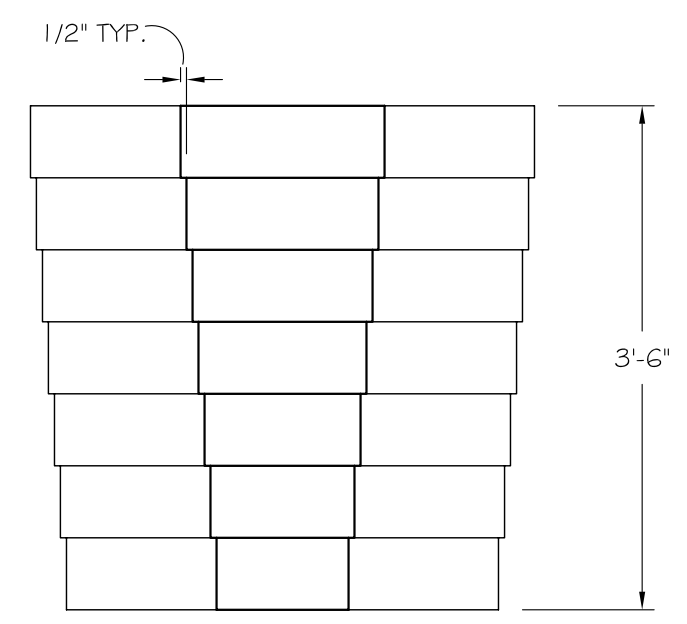
1 PLAN VIEW



2 ELEVATION

\* ALL PLANTERS AND BENCHES WILL HAVE TAPERED DRAFT.  
 \* ALL EDGES TO HAVE 1/4"R MIN.  
 \* MANUFACTURING TOLERANCE  $\pm \frac{1}{4}$ " (MAY VARIES BY MODEL)

REVISIONS				
ZONE	REV	DESCRIPTION	DATE	APPROVED
	△	PART DRAWING	2012	



3 SECTION VIEW

<b>Old Town fiberglass</b>	Old Town Fiberglass, Inc. 456 South Montgomery WayOrange, CA 92868-4015 PH: (714) 633-3732 FX: (714) 633-3917 www.oldtownfiberglass.com			
	<b>PI724242 (PIER)</b>			
CUST:	SIZE	FSCM NO.	DWG NO.	REV 0
SALE ORDER #	SCALE 3/4"=1'-0"		SHEET	CS-1