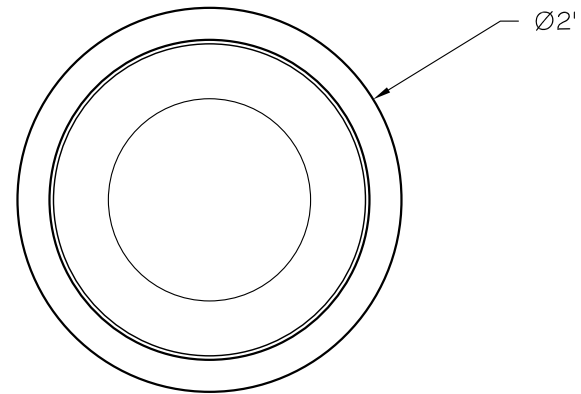
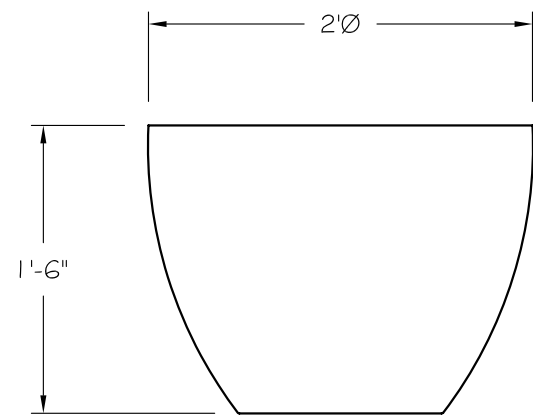


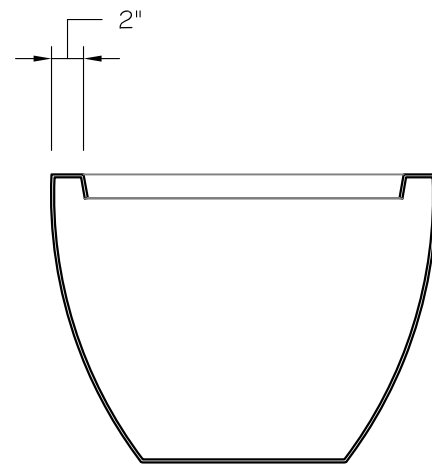
REVISIONS				
ZONE	REV	DESCRIPTION	DATE	APPROVED
	△	PART DRAWING	2012	



1 PLAN VIEW



2 ELEVATION

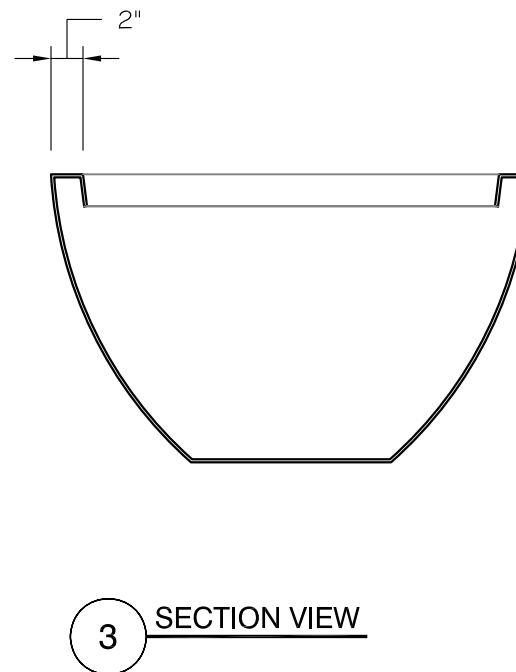
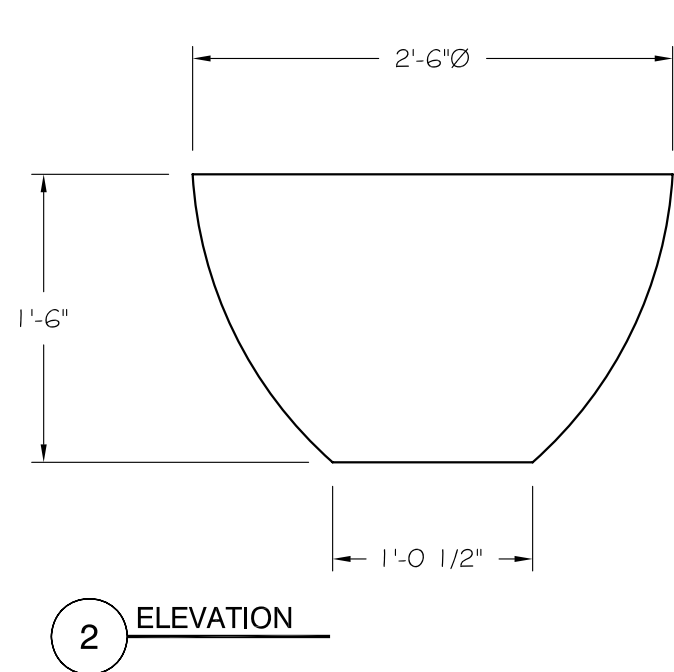
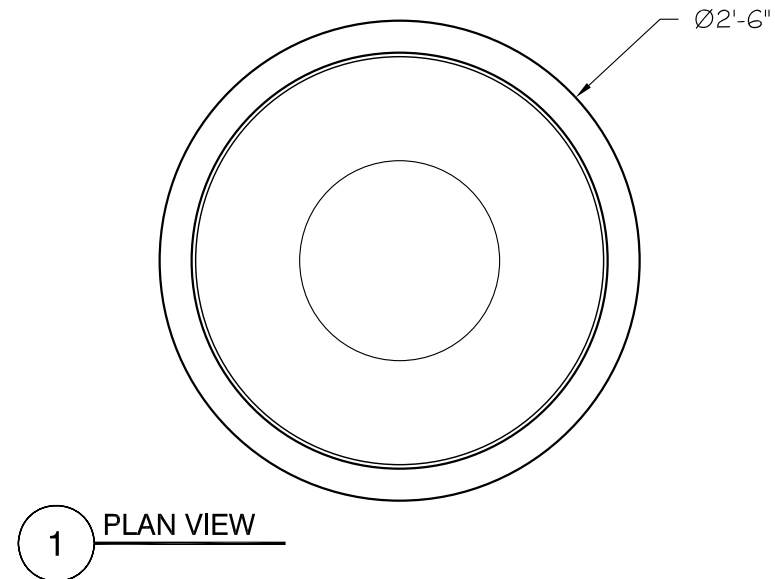


3 SECTION VIEW

- * ALL PLANTERS AND BENCHES WILL HAVE TAPERED DRAFT.
- * ALL EDGES TO HAVE 1/4"R MIN.
- * MANUFACTURING TOLERANCE $\pm \frac{1}{4}$ " (MAY VARIES BY MODEL)

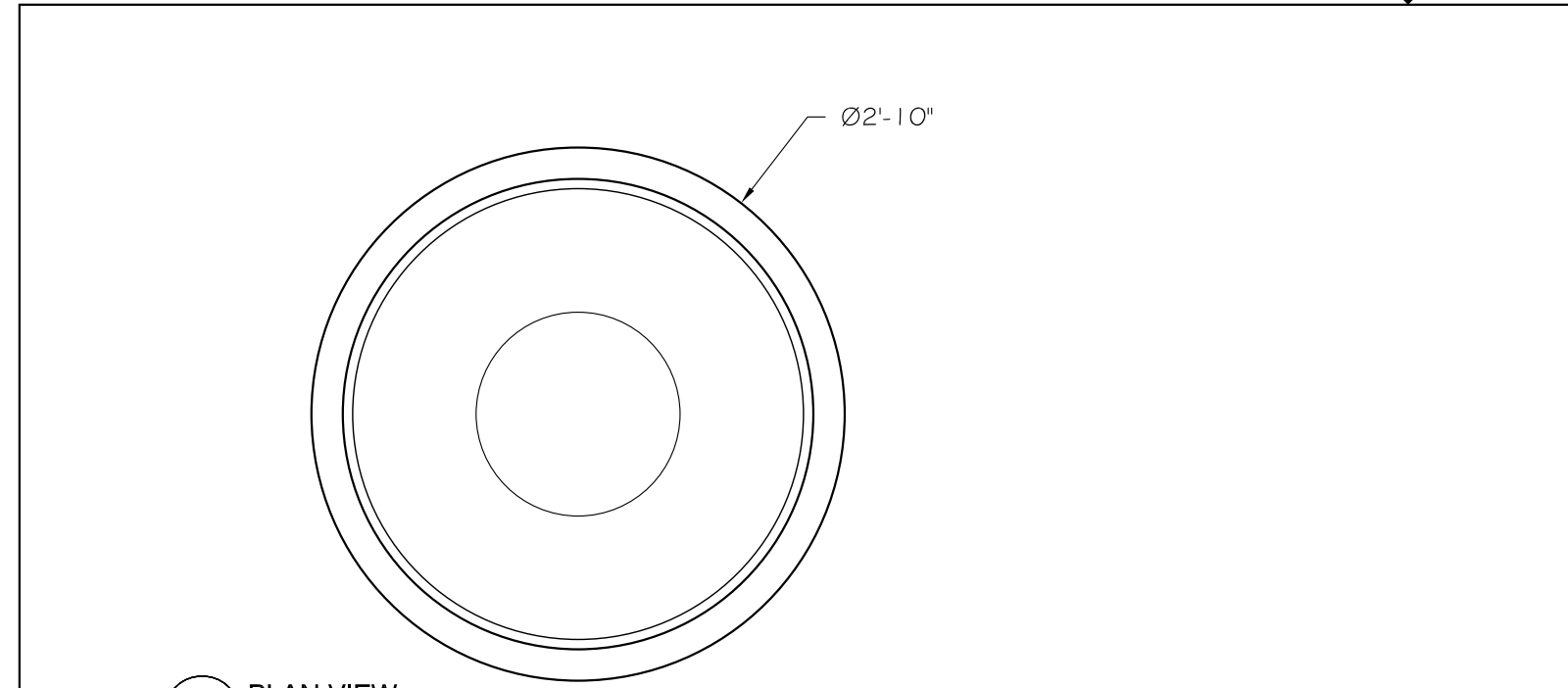
Old Town <i>fiberglass</i>	Old Town Fiberglass, Inc. 456 South Montgomery WayOrange, CA 92868-4015 PH: (714) 633-3732 FX: (714) 633-3917 www.oldtownfiberglass.com			
	ML2418 (MATRIX)			
CUST:	SIZE	FSCM NO.	DWG NO.	REV 0
SALE ORDER #	SCALE 1"=1'-0"		SHEET	CS-1

REVISIONS				
ZONE	REV	DESCRIPTION	DATE	APPROVED
	△	PART DRAWING	2012	

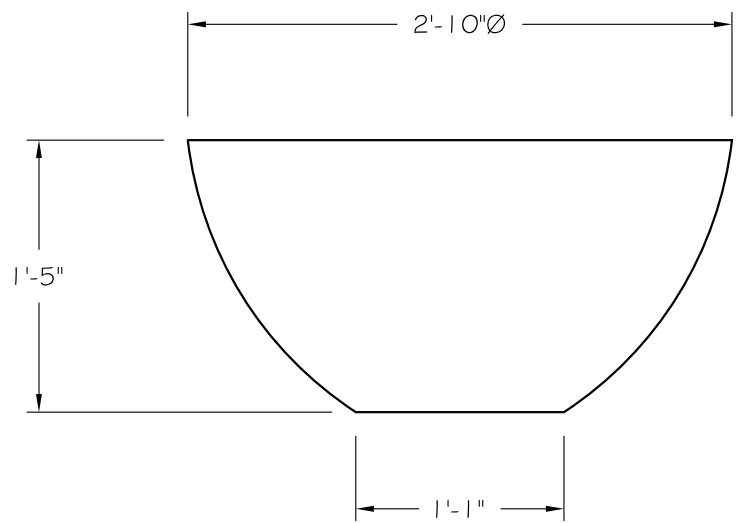


- * ALL PLANTERS AND BENCHES WILL HAVE TAPERED DRAFT.
- * ALL EDGES TO HAVE 1/4"R MIN.
- * MANUFACTURING TOLERANCE $\pm \frac{1}{4}$ " (MAY VARIES BY MODEL)

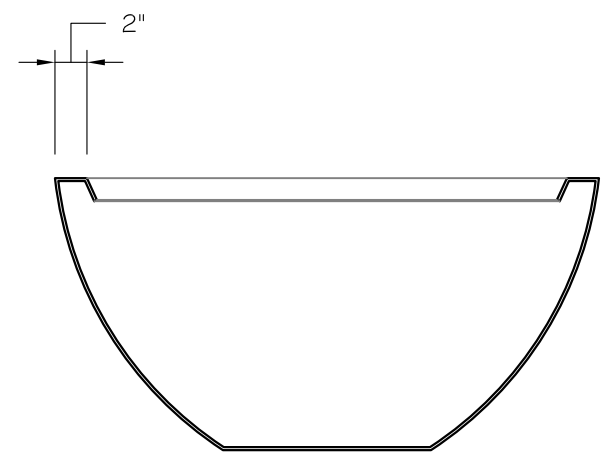
Old Town fiberglass	Old Town Fiberglass, Inc. 456 South Montgomery WayOrange, CA 92868-4015 PH: (714) 633-3732 FX: (714) 633-3917 www.oldtownfiberglass.com			
	ML3018 (MATRIX)			
CUST:	SIZE	FSCM NO.	DWG NO.	REV 0
SALE ORDER #	SCALE 1"=1'-0"		SHEET	CS-1



1 PLAN VIEW



2 ELEVATION



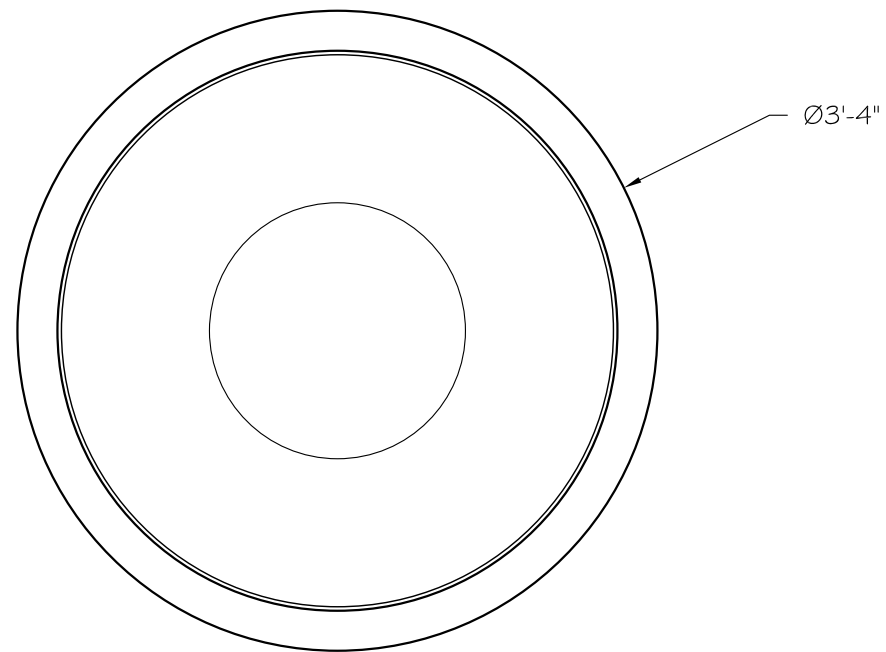
3 SECTION VIEW

REVISIONS				
ZONE	REV	DESCRIPTION	DATE	APPROVED
	△	PART DRAWING	2012	

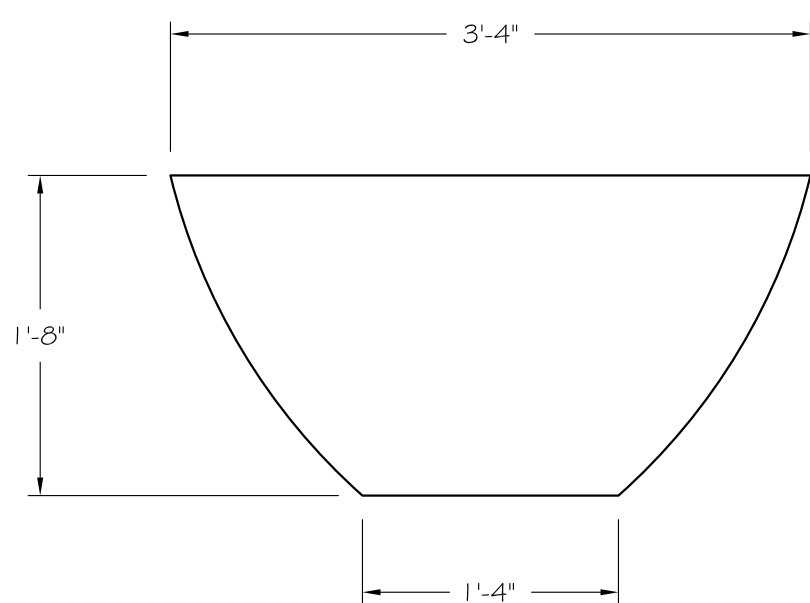
- * ALL PLANTERS AND BENCHES WILL HAVE TAPERED DRAFT.
- * ALL EDGES TO HAVE 1/4"R MIN.
- * MANUFACTURING TOLERANCE $\pm \frac{1}{4}$ " (MAY VARIES BY MODEL)

Old Town <i>fiberglass</i>	Old Town Fiberglass, Inc. 456 South Montgomery WayOrange, CA 92868-4015 PH: (714) 633-3732 FX: (714) 633-3917 www.oldtownfiberglass.com			
	ML3417 (MATRIX)			
CUST:	SIZE	FSCM NO.	DWG NO.	REV 0
SALE ORDER #	SCALE 1"=1'-0"		SHEET	CS-1

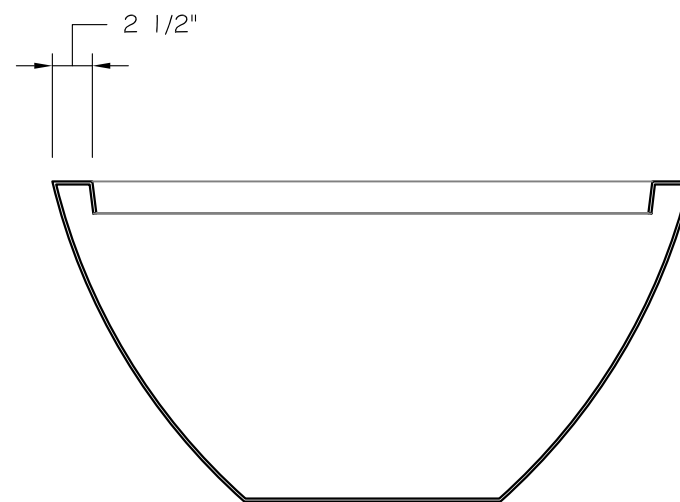
REVISIONS				
ZONE	REV	DESCRIPTION	DATE	APPROVED
	△	PART DRAWING	2012	



1 PLAN VIEW



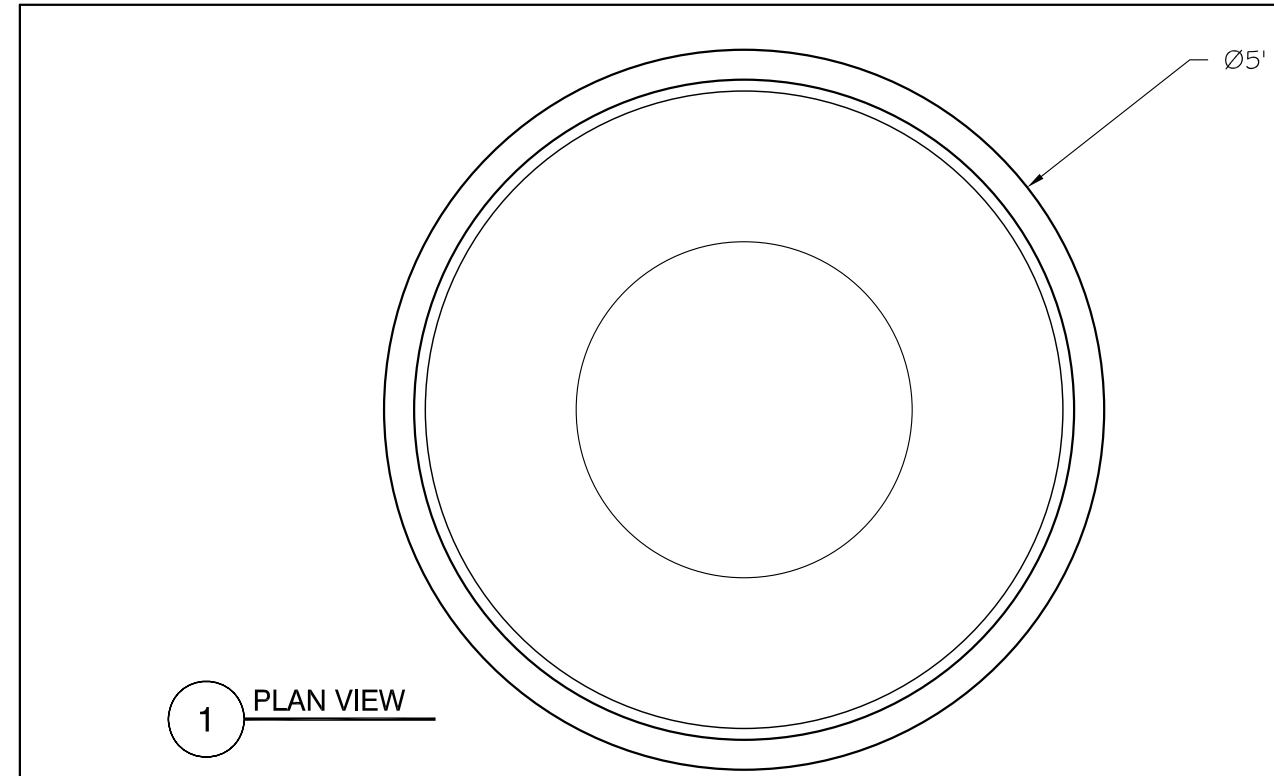
2 ELEVATION



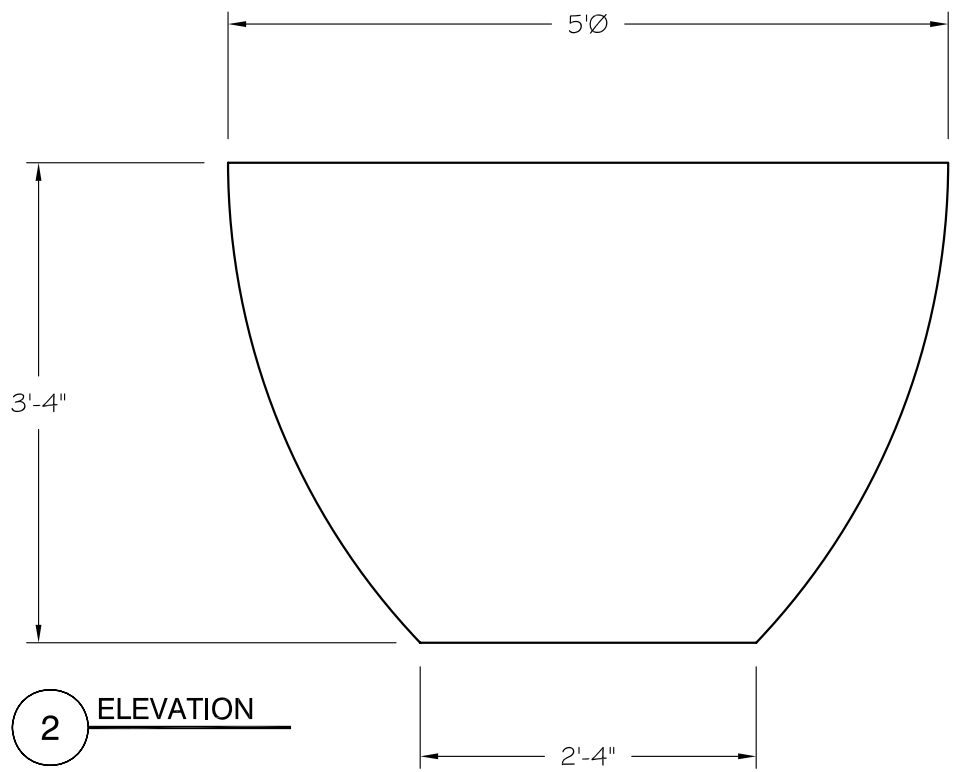
3 SECTION VIEW

- * ALL PLANTERS AND BENCHES WILL HAVE TAPERED DRAFT.
- * ALL EDGES TO HAVE 1/4"R MIN.
- * MANUFACTURING TOLERANCE $\pm \frac{1}{4}$ " (MAY VARIES BY MODEL)

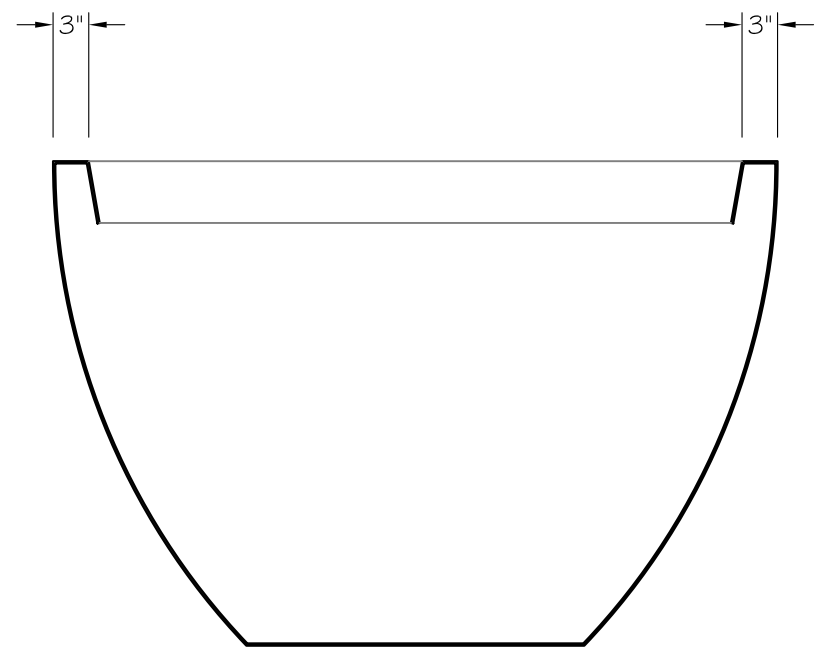
Old Town <i>fiberglass</i>	Old Town Fiberglass, Inc. 456 South Montgomery WayOrange, CA 92868-4015 PH: (714) 633-3732 FX: (714) 633-3917 www.oldtownfiberglass.com			
	ML4020 (MATRIX)			
CUST:	SIZE	FSCM NO.	DWG NO.	REV 0
SALE ORDER #	SCALE 1"=1'-0"		SHEET	CS-1



1 PLAN VIEW



2 ELEVATION



3 SECTION VIEW

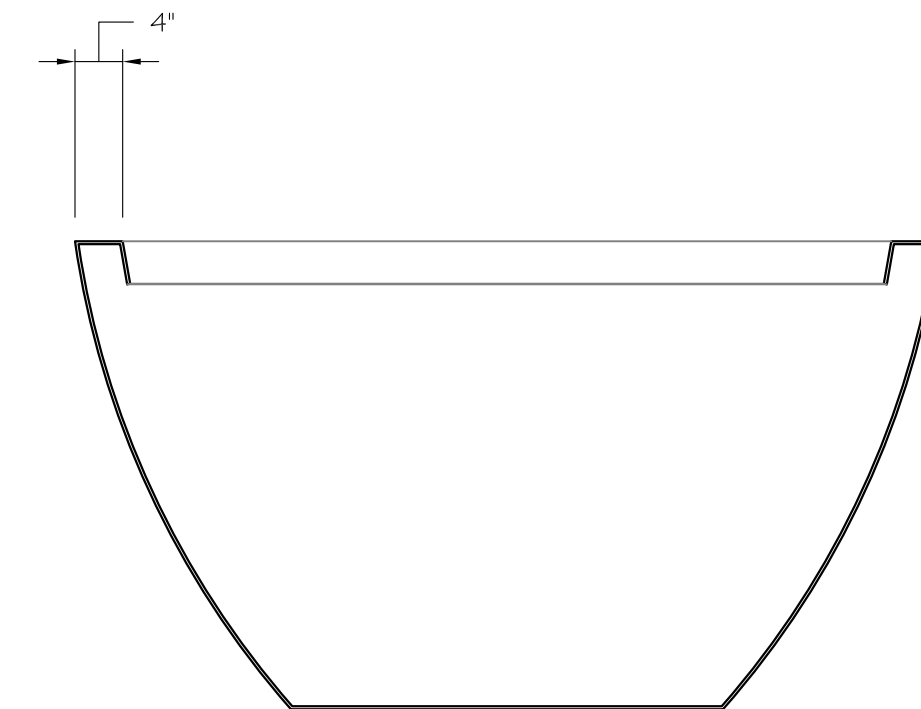
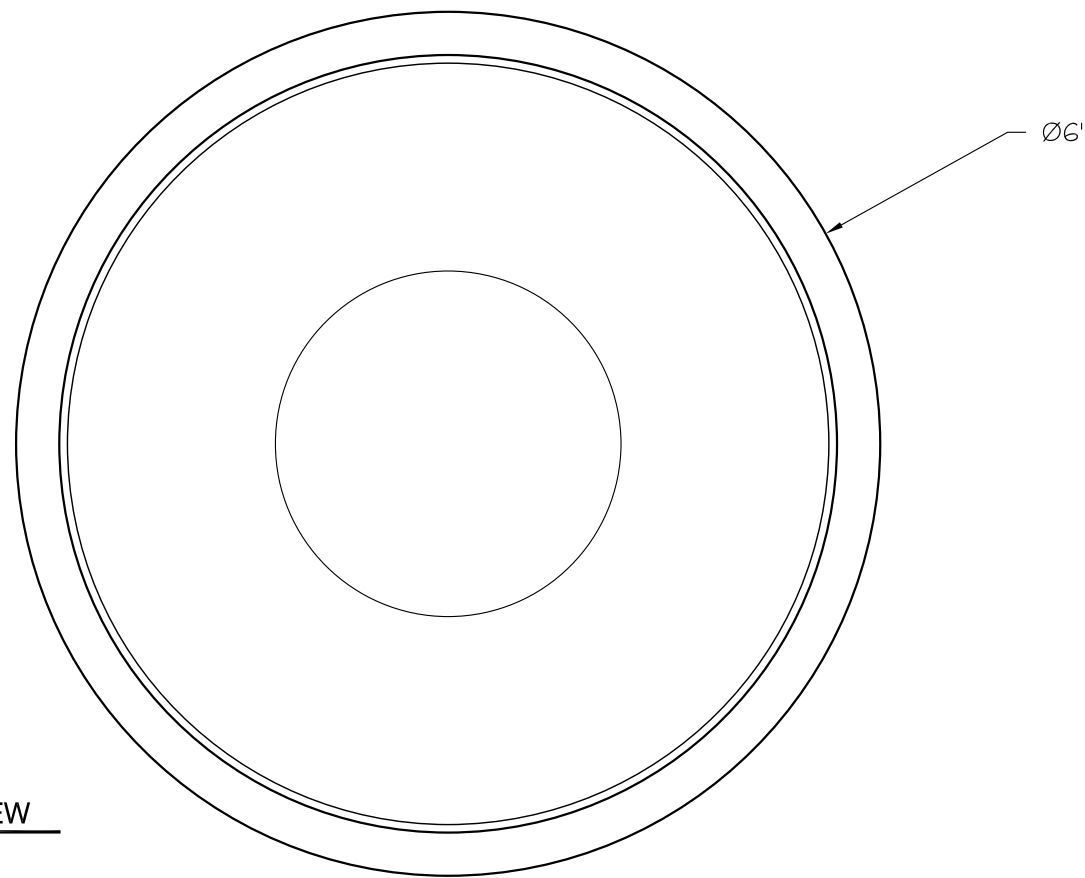
REVISIONS				
ZONE	REV	DESCRIPTION	DATE	APPROVED
	△	PART DRAWING	2012	

Old Town <i>fiberglass</i>	Old Town Fiberglass, Inc. 456 South Montgomery Way Orange, CA 92868-4015 PH: (714) 633-3732 FX: (714) 633-3917 www.oldtownfiberglass.com			
	ML6040 (MATRIX)			
CUST:	SIZE	FSCM NO.	DWG NO.	REV 0
SALE ORDER #	SCALE 3/4"=1'-0"		SHEET	CS-1

* ALL PLANTERS AND BENCHES WILL HAVE TAPERED DRAFT.
 * ALL EDGES TO HAVE 1/4"R MIN.
 * MANUFACTURING TOLERANCE ±1/4" (MAY VARIES BY MODEL)

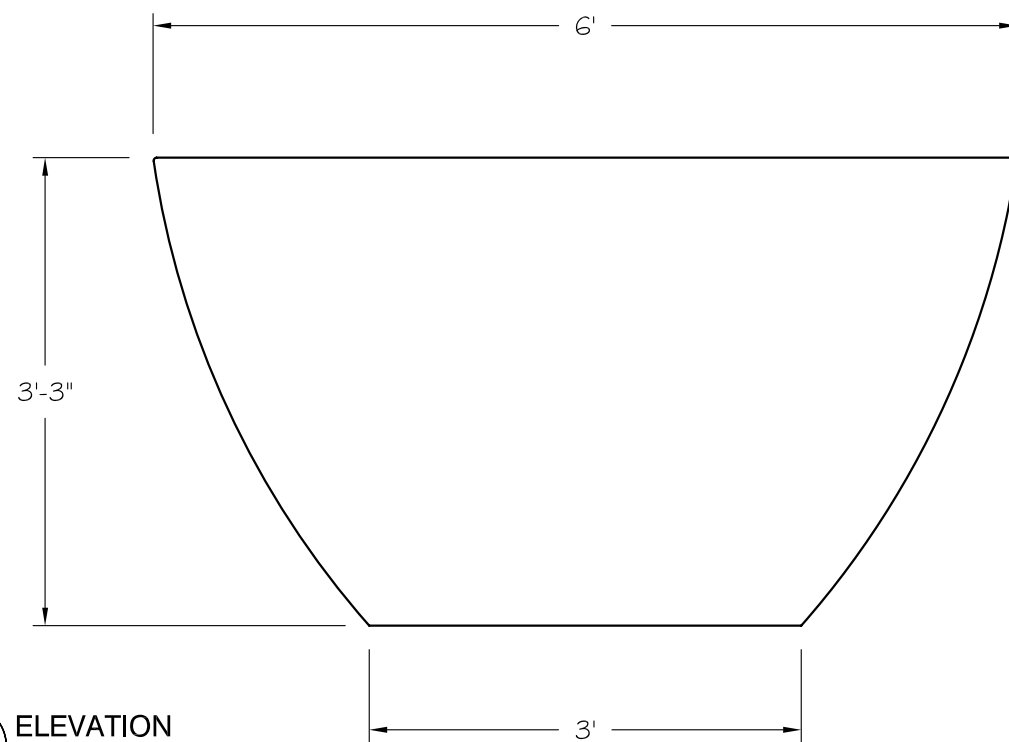
REVISIONS				
ZONE	REV	DESCRIPTION	DATE	APPROVED
	△	PART DRAWING	2012	

1 PLAN VIEW



3 SECTION VIEW

2 ELEVATION



- * ALL PLANTERS AND BENCHES WILL HAVE TAPERED DRAFT.
- * ALL EDGES TO HAVE 1/4"R MIN.
- * MANUFACTURING TOLERANCE $\pm \frac{1}{4}$ " (MAY VARIES BY MODEL)

Old Town fiberglass	Old Town Fiberglass, Inc. 456 South Montgomery WayOrange, CA 92868-4015 PH: (714) 633-3732 FX: (714) 633-3917 www.oldtownfiberglass.com			
	ML7239 (MATRIX)			
CUST:	SIZE	FSCM NO.	DWG NO.	REV 0
SALE ORDER #	SCALE 1/2"=1'-0"		SHEET	CS-1