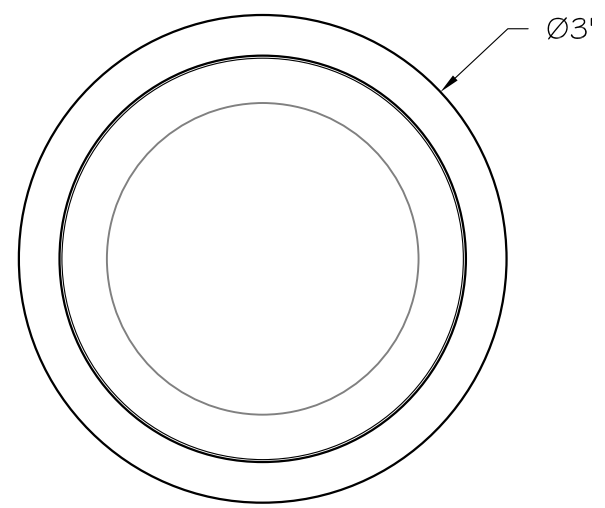
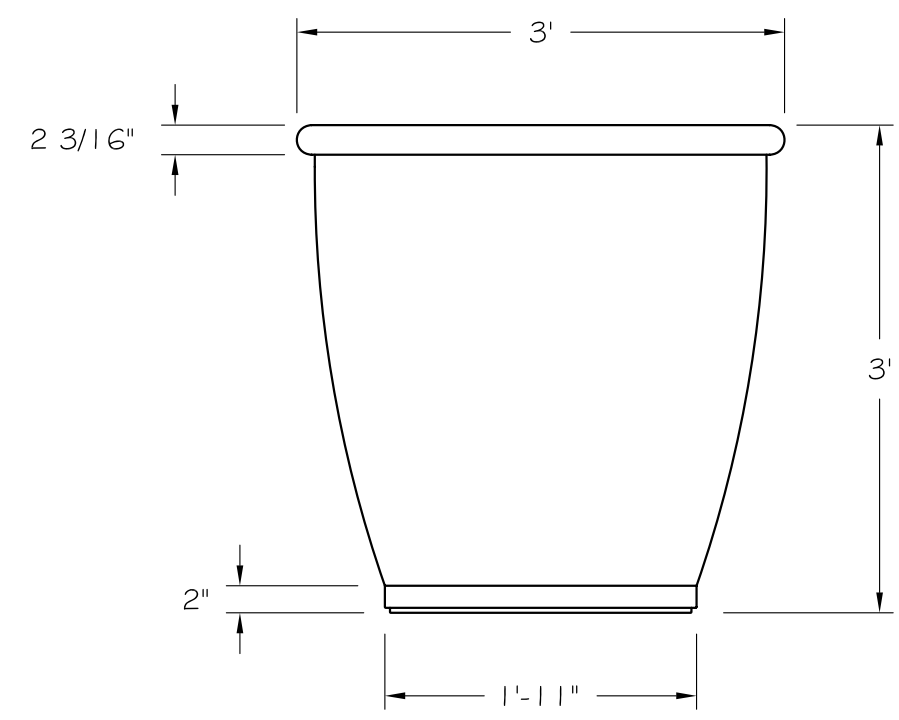


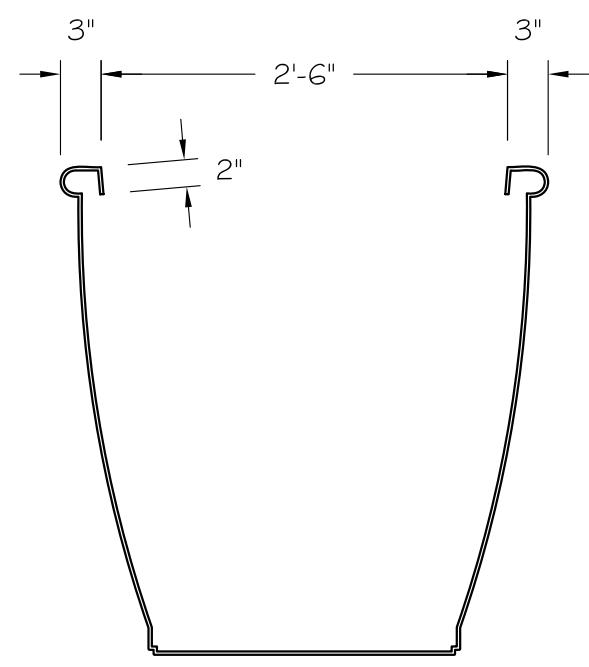
1 PLAN VIEW



2 ELEVATION



3 SECTION VIEW



REVISIONS				
ZONE	REV	DESCRIPTION	DATE	APPROVED
	△	PART DRAWING	2012	

<b>Old Town</b> <i>fiberglass</i>	Old Town Fiberglass, Inc. 456 South Montgomery Way Orange, CA 92868-4015 PH: (714) 633-3732 FX: (714) 633-3917 www.oldtownfiberglass.com			
	<b>HR3636 (HERMOSA)</b>			
CUST:	SIZE	FSCM NO.	DWG NO.	REV 0
SALE ORDER #	SCALE 1"=1'-0"		SHEET	CS-1

\* ALL PLANTERS AND BENCHES WILL HAVE TAPERED DRAFT.  
 \* ALL EDGES TO HAVE 1/4" R MIN.  
 \* MANUFACTURING TOLERANCE ± 1/4" (MAY VARY BY MODEL)