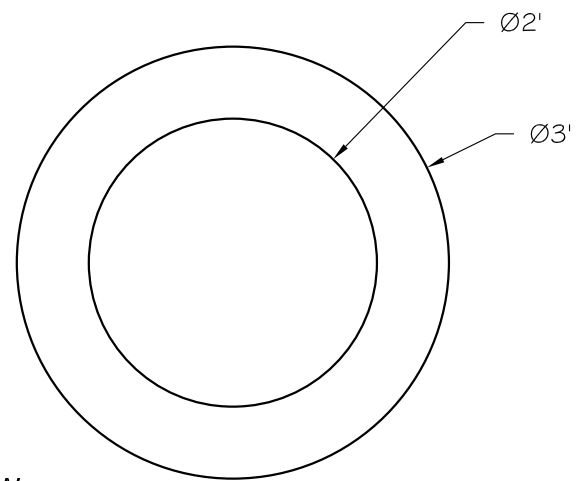
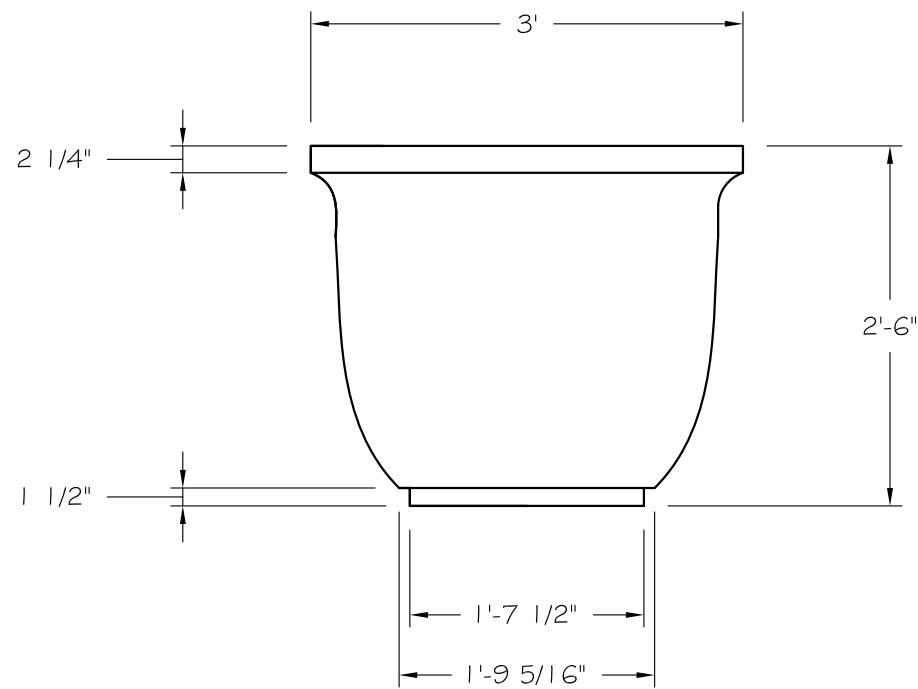


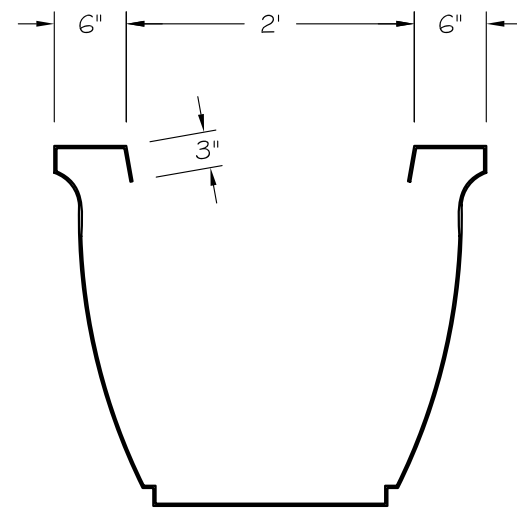
1 PLAN VIEW



2 ELEVATION



3 SECTION VIEW



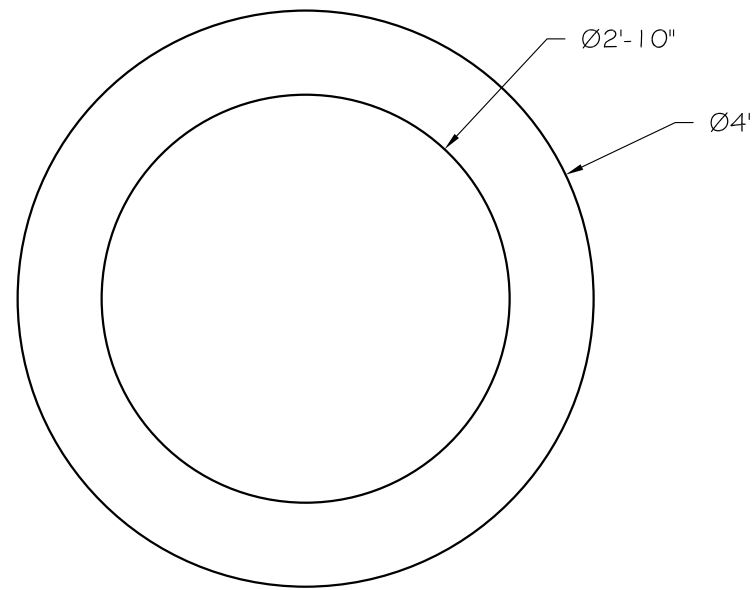
| REVISIONS | | | | |
|-----------|-----|--------------|------|----------|
| ZONE | REV | DESCRIPTION | DATE | APPROVED |
| | △ | PART DRAWING | 2012 | |

| | | | | |
|--------------------------------------|--|----------|---------|----------|
| Old Town <i>fiberglass</i> | Old Town Fiberglass, Inc. 456 South Montgomery Way Orange, CA 92868-4015 PH: (714) 633-3732 FX: (714) 633-3917 www.oldtownfiberglass.com | | | |
| | GL3630 (GALINI) | | | |
| CUST: | SIZE | FSCM NO. | DWG NO. | REV 0 |
| SALE ORDER # | SCALE $3/4"=1'-0"$ | | SHEET | CS-1 |

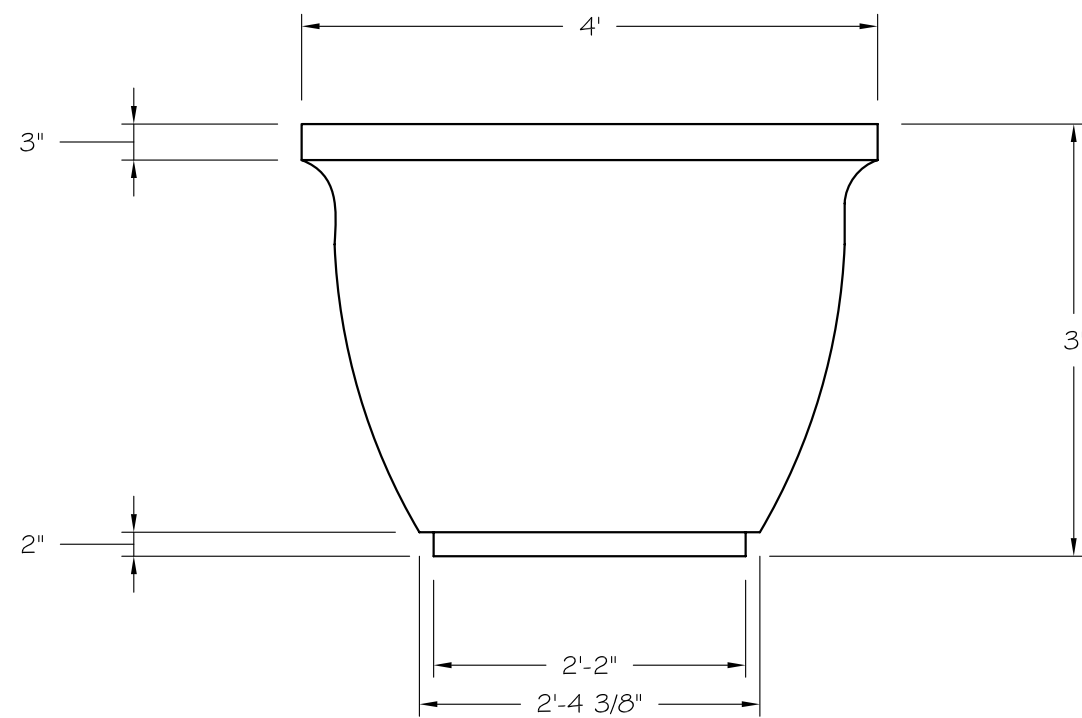
- * ALL PLANTERS AND BENCHES WILL HAVE TAPERED DRAFT.
- * ALL EDGES TO HAVE $1/4"R$ MIN.
- * MANUFACTURING TOLERANCE $\pm\frac{1}{4}"$ (MAY VARIES BY MODEL)

| REVISIONS | | | | |
|-----------|-----|--------------|------|----------|
| ZONE | REV | DESCRIPTION | DATE | APPROVED |
| | △ | PART DRAWING | 2012 | |

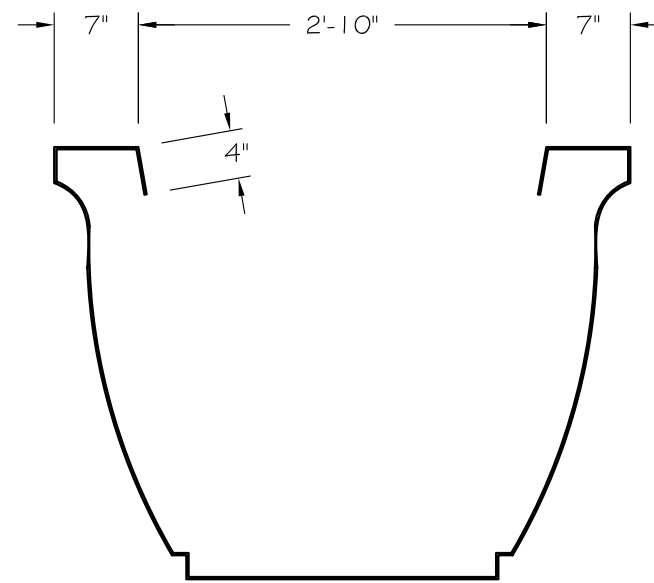
1 PLAN VIEW



2 ELEVATION



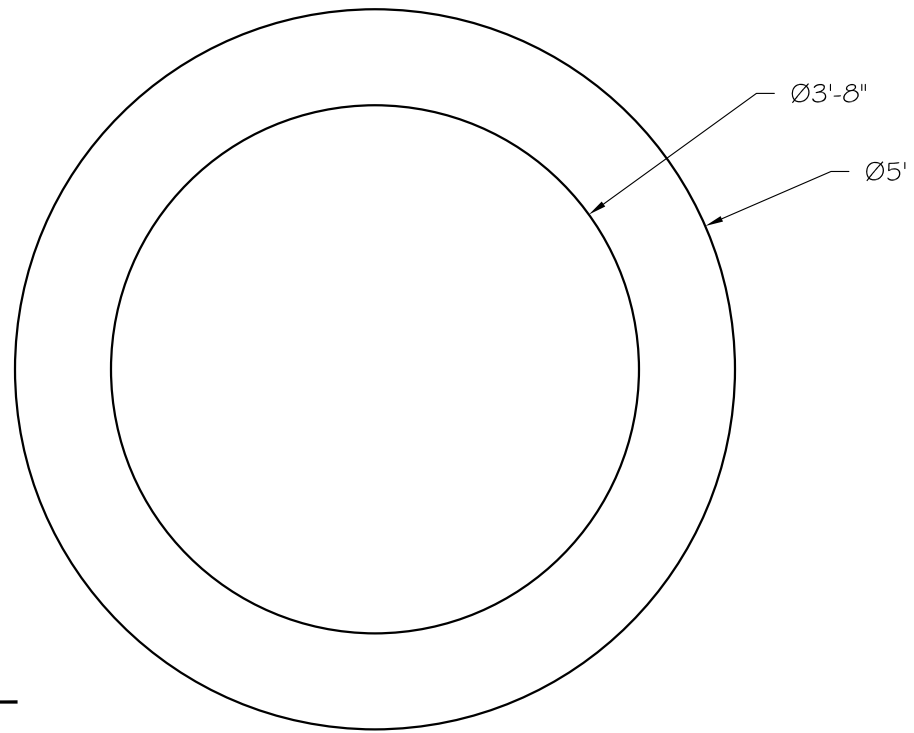
3 SECTION VIEW



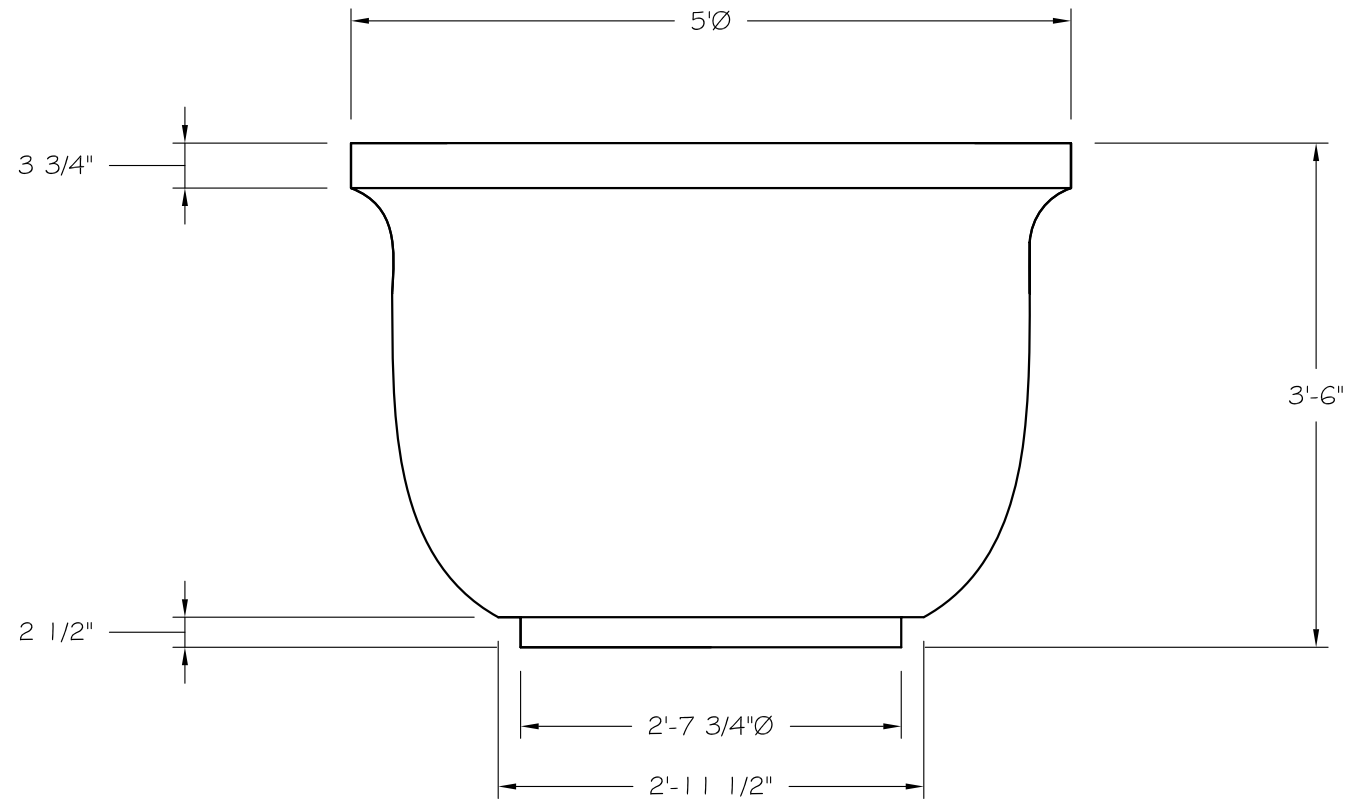
- * ALL PLANTERS AND BENCHES WILL HAVE TAPERED DRAFT.
- * ALL EDGES TO HAVE 1/4"R MIN.
- * MANUFACTURING TOLERANCE $\pm \frac{1}{4}''$ (MAY VARIES BY MODEL)

| | | | | |
|--------------------------------------|---|----------|---------|----------|
| Old Town <i>fiberglass</i> | Old Town Fiberglass, Inc. 456 South Montgomery WayOrange, CA 92868-4015 PH: (714) 633-3732 FX: (714) 633-3917 www.oldtownfiberglass.com | | | |
| | GL4836 (GALINI) | | | |
| CUST: | SIZE | FSCM NO. | DWG NO. | REV 0 |
| SALE ORDER # | SCALE 3/4"=1'-0" | | SHEET | CS-1 |

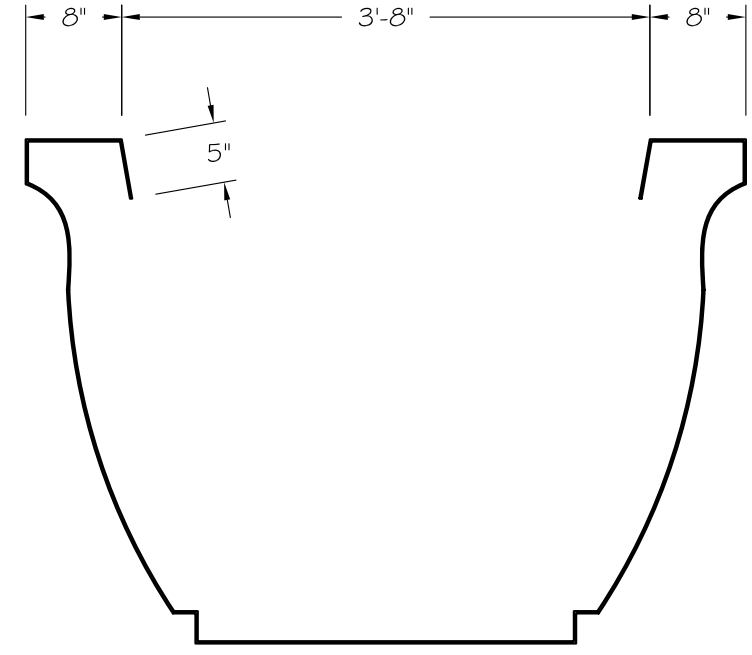
1 PLAN VIEW



2 ELEVATION



3 SECTION VIEW



| REVISIONS | | | | |
|-----------|-----|--------------|------|----------|
| ZONE | REV | DESCRIPTION | DATE | APPROVED |
| | △ | PART DRAWING | 2012 | |

- * ALL PLANTERS AND BENCHES WILL HAVE TAPERED DRAFT.
- * ALL EDGES TO HAVE 1/4"R MIN.
- * MANUFACTURING TOLERANCE ±1/4" (MAY VARIES BY MODEL)

| | | | | |
|--------------------------------|---|----------|---------|----------|
| Old Town fiberglass | Old Town Fiberglass, Inc. 456 South Montgomery WayOrange, CA 92868-4015 PH: (714) 633-3732 FX: (714) 633-3917 www.oldtownfiberglass.com | | | |
| | GL6042 (GALINI) | | | |
| CUST: | SIZE | FSCM NO. | DWG NO. | REV 0 |
| SALE ORDER # | SCALE 3/4"=1'-0" | | SHEET | CS-1 |